

# Precision Digital Dial Indicators

Sylvac • Electr. Digital Indicators S\_Dial Work, Advanced • IP54

**NEW**

ART N° 240266

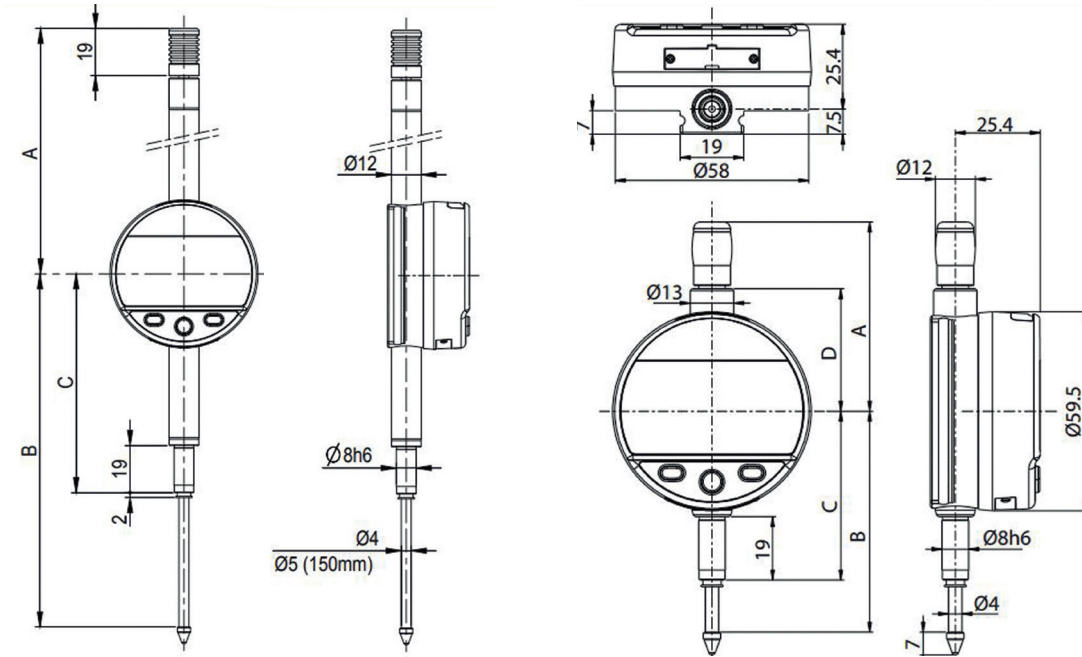
**• with proximity data output**

- robust structure
- water and coolant resistant
- aluminium case, rotating display over 270°
- LCD display with clear reading, with integrated LEDs tolerances, 10 mm digit height
- automatic wake-up and sleeping mode, (absolute system S.I.S)
- broad choice (MIN / MAX / DELTA, TOL, factor, PRESET, AUTO, OFF etc.)
- data output via cable Proximity to USB oder RS232
- mm/inch switchable, measuring direction reversible
- incl. 1x 3 V battery (type CR2032, art.-no.: 90112), with operation manual

**Options**

- data output via cable, Proximity – USB, art.-no.: 2023101, see page 334
- data output via cable, Power- USB, external power, art.-no.: 2424101, see page 334

ART N° 240242



ART N°	mm / inch	mm / inch	mm	mm	A mm	B mm	C mm	D mm	CC
240242	12.5 / 0.5	0.01 / 0.0005	0.002	0.010	56.7	66.1	50.5	36.6	on request
240262	12.5 / 0.5	0.001 / 0.00005	0.002	0.003	56.7	66.1	50.5	36.6	on request
240243	25.0 / 1.0	0.01 / 0.0005	0.002	0.010	69.4	78.5	50.5	49.4	on request
240263	25.0 / 1.0	0.001 / 0.00005	0.002	0.004	69.4	78.5	50.5	49.4	on request
240244	50.0 / 2.0	0.01 / 0.0005	0.002	0.020	121.0	142.0	88.0	—	on request
240264	50.0 / 2.0	0.001 / 0.00005	0.002	0.005	121.0	142.0	88.0	—	on request
240245	100.0 / 4.0	0.01 / 0.0005	0.002	0.020	172.0	244.0	139.0	—	on request
240265	100.0 / 4.0	0.001 / 0.00005	0.002	0.006	172.0	244.0	139.0	—	on request
240246	150.0 / 6.0	0.01 / 0.0005	0.002	0.020	224.0	349.0	193.0	—	on request
240266	150.0 / 6.0	0.001 / 0.00005	0.002	0.010	224.0	349.0	193.0	—	on request